

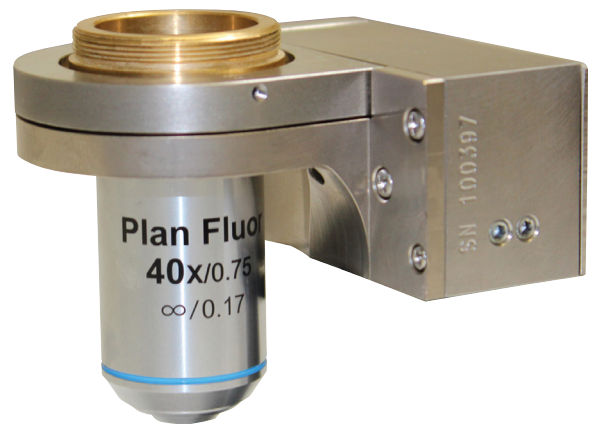
# NanoScan OP200

## Nanopositioning Piezo Objective Scanner

The NanoScan OP200 nanopositioning piezo objective scanner provides fast step and settle times with twice the travel range of other competitors' fastest models.

Its market-leading positioning accuracy and resolution originates from its unique mechanical design and integral capacitive feedback sensors.

Compatible with most microscopes and objective lenses, the OP200 has user configurable settings optimized for different objective sizes, weights, and performance needs. You simply select the best setting for your particular application using the software application provided.



### Key features

- 200  $\mu\text{m}$  closed loop travel range (260  $\mu\text{m}$  open loop range).
- High-stiffness (1.3 N/ $\mu\text{m}$ ) provides class-leading step-settle performance. 20  $\mu\text{m}$  (10 %) step sub-8 ms with 150 g load.
- Stainless steel construction provides greater mechanical stiffness (faster) and temperature stability (lowest drift).
- Friction-free flexures deliver high stiffness and minimize off-axis motions for the highest repeatability and fastest cycle times.
- Tested to perform for more than 10 million full range cycles.
- Capacitive positioning sensors used to give sub nanometer positioning and the best resolution, stability (low drift) and repeatability.
- Suitable for upright and inverted applications.
- Connectors with built in stage calibration provide plug and play electronics which can be interchanged, minimizing system down times.

### Applications

- Optical sectioning producing 3D images
- Autofocus systems for time lapse imaging
- High content screening
- Surface analysis
- Wafer inspection
- Scanning interferometry
- Multiphoton microscopy

## Specifications for NanoScan OP200 Positioner\*:

Parameter	Specification
Material	Stainless Steel
Stage mass	400 g
Closed Loop Range	200 $\mu$ m
Resolution*	0.4 nm under 150 g load
Linearity*	0.01 %
Repeatability*	1 nm Slow PID, 50 $\mu$ m step, 1SD
Max. Objective Load	500 g (higher loads on request)
Loaded Resonant Frequency*	272 Hz under 150 g load
2% Settle 20 $\mu$ m Step 150g Load* (settle time for 10% step in Z)	8 ms
5% Settle 0.5 $\mu$ m Step 150g/250g/500g Load*	5.5 ms / 9 ms / 12 ms
0.5% (500nm) Settle 100 $\mu$ m Step 150g/250g/500g Load*	18 ms / 20 ms / 30 ms
Cable Length	2 m
Objective Clearance	40 mm
Optical Path Length Extension	13 mm 12 mm with M32

## Specifications for NPC-D-6110 Controller

Parameter	Specification
<b>Mechanical</b>	
NPC-D-6110 Controller Box	318 mm x 240 mm 90 mm
Weight of Controller Box	3.0 kg
<b>Cooling</b>	
	Convection cooled - temperature controlled fans
<b>Electrical</b>	
Power input	100 to 240 VAC nominal 47 to 63 Hz
<b>Connectivity</b>	
USB - Type B Connector	2.0 compliant
Analog input command	BNC - 0 -10V (+/- 10V max)
Analog position monitor output	BNC - 0-10V (+/- 10V max)
“TRIG” input/“TRIG” output “IN-POS” output and quadrature interface	25 pin D-type socket - 5V TTL
Controller synchronizing signals	9 pin D-type socket
<b>Environmental - Operational</b>	
Temperature	10 to 40 C
Relative humidity	5 to 80 %

\*Typical specifications

## NanoScan OP200 System Ordering Information

Part Number	Description
<b>QGOP200-UP-D1</b>	System incorporating NanoScan OP200 (0 - 500 g load) for upright microscopes using objective lenses and NPC-D-6110 controller.
<b>QGOP200-INV-D1</b>	System incorporating NanoScan OP200 (0 - 500 g load) for inverted microscopes using objective lenses and NPC-D-6110 controller.

## Microscopes Thread Adapter Ordering Information

Part Number	Description
<b>QG-OP-MIC-RMS</b>	Microscope adapter RMS
<b>QG-OP-MIC-M25</b>	Microscope adapter M25 x 0.75
<b>QG-OP-MIC-M32</b>	Microscope adapter M32 x 0.75
<b>QG-OP-MIC-M27</b>	Microscope adapter M27 x 0.75
<b>QG-OP-MIC-W26</b>	Microscope adapter W26 (M26 X x 1/36")

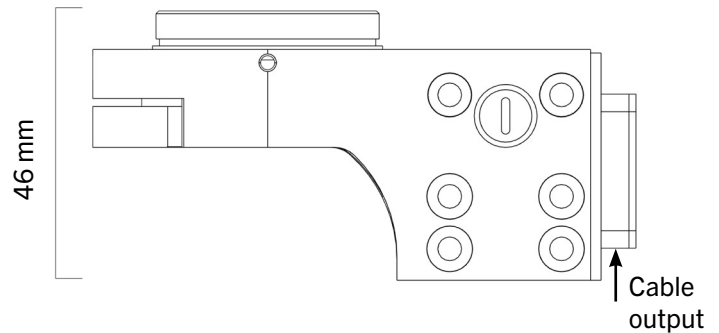
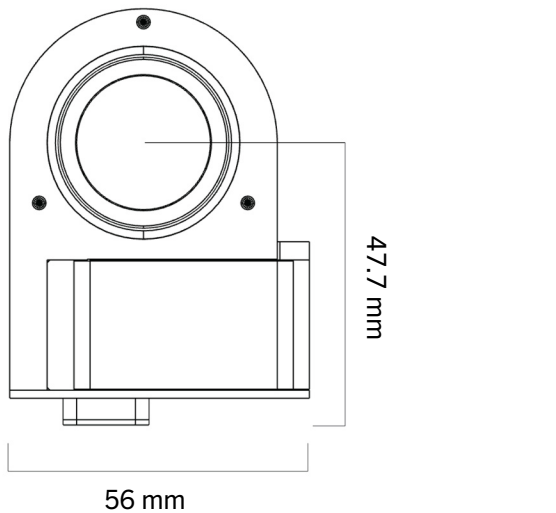
## Objective Lens Adapter Ordering Information

Part Number	Description
<b>QG-OP-OBJ-RMS</b>	Objective adapter M32 x 0.75 to RMS
<b>QG-OP-OBJ-M25</b>	Objective adapter M32 x 0.75 to M25 x 0.75
<b>QG-OP-OBJ-M27</b>	Objective adapter M32 x 0.75 to M27 x 0.75
<b>QG-OP-OBJ-W26</b>	Objective adapter M32 x 0.75 to W26 (M26 x 1/36")

## Parfocal Objective Spacer and Microscope Adapter Ordering Information

Part Number	Description
<b>QG-OP-SPACE-RMS</b>	Objective lens spacer RMS
<b>QG-OP-SPACE-M25</b>	Objective lens spacer M25 x 0.75
<b>QG-OP-SPACE-M32</b>	Objective lens spacer M32 x 0.75
<b>QG-OP-SPACE-M27</b>	Objective lens spacer M27 x 0.75
<b>QG-OP-SPACE-W26</b>	Objective lens spacer W26 (M26 x 1/36")
<b>QGOP-RAISE-KIT-M5-12</b>	XY stage raiser kit for inverted setup of OP200/OP800 M5 12 mm

## Dimensions



Please refer to the [OP200 Installation Drawing](#) for complete dimensions and install guide. Full installation drawings are also available on the Queensgate website. 3D CAD available on request.

## NPC-D-6110 Controller



- The powerful digital controller drives the OP200 at the fastest speeds possible.
- Motion control algorithms with acceleration/ deceleration control and active damping reduce overshoot.
- Velocity control algorithm gives ultra-smooth ramps for applications such as focus stacking or focus bracketing.
- Market-leading 20  $\mu$ s update rate.
- Fastest recovery time between z-stacks, providing enhanced time resolution.
- Software selectable tuning presets which optimize for step settle with different mass objectives.

## Interfacing

- Analog command input and position output (0-10 V) for compatibility with existing systems.
- Digital commands over USB for maximum accuracy with a DLL interface for customer software. In-position digital outputs can be used to control camera imaging by providing rapid z-stacking.
- Digital quadrature/step-and-direction commands allow high-speed control with a standard 2-wire motion controller interface, without the need for expensive high-precision ADCs/DACs.
- Playback of custom-programmed waveforms such as constant-velocity profiles. Separate digital trigger outputs can be activated at custom-defined points to control external equipment such as camera imaging.
- Compatible with Queensgate Nanobench, Micro-Manager, Metamorph, Elements via RS232C, and other customer software using the DLL interface provided.
- Can be connected to Prior ProScan III for integrated fine z-control.

### UNITED KINGDOM

Prior Scientific Instruments Ltd.  
Units 3-4 Fielding Industrial Estate  
Wilbraham Road, Fulbourn  
Cambridge, CB21 5ET  
United Kingdom  
Email: [inquiries@prior.com](mailto:inquiries@prior.com)  
Phone: +44 (0)1223 881711

### U.S.A.

Prior Scientific, Inc.  
80 Reservoir Park Drive  
Rockland, MA. 02370  
U.S.A.  
Email: [info@prior.com](mailto:info@prior.com)  
Phone: +1 781 878 8442

### GERMANY

Prior Scientific Instruments GmbH  
Maria-Pawlowna-Str. 4  
D-07743, Jena, Germany  
Email: [jena@prior.com](mailto:jena@prior.com)  
Phone: +49 (0) 3641 24 20 10

### JAPAN

Kayabacho 3rd Nagaoka Bldg 10F,  
2-7-10, Nihonbashi Kayabacho, Chuo-Ku,  
Tokyo103-0025, Japan  
Email: [info-japan@prior.com](mailto:info-japan@prior.com)  
Phone: +81 (0)3 5652 8831

### CHINA

Prior Scientific Instruments (Suzhou) Ltd.  
Room 118, Meilihua Hemu Park  
No. 393 Suhong Middle Road, Suzhou Industrial Park  
Suzhou, 215000, China  
Email: [info-china@prior.com](mailto:info-china@prior.com)  
Phone: +86 (0)512 6617 5866

